

Electric Wax Heater User's Manual

Model WH40 Preset Temperature
Model WH41 with Temperature Control



Ray Foster[®]
DENTAL EQUIPMENT

OPERATING INSTRUCTIONS

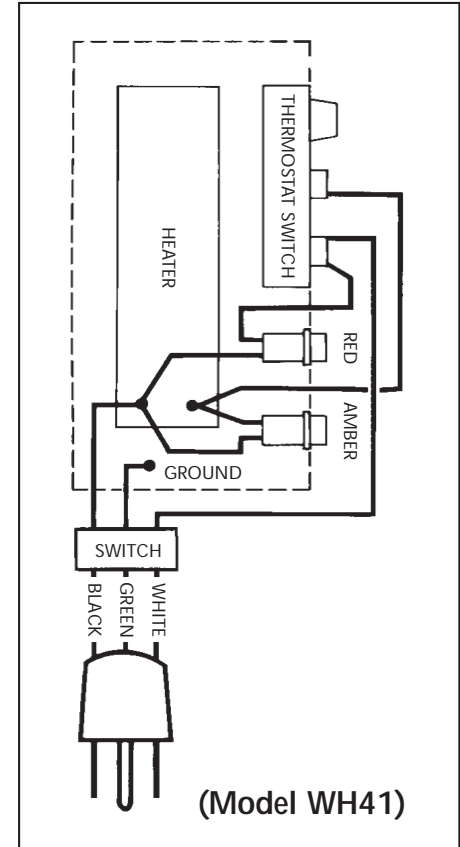
MODEL WH40

The switch is located on the electric power cord. Turn to the ON position. The power indicator light will glow red and will remain lit as long as the switch is in the ON position. The unit will take approximately 15 minutes to heat up to a preset temperature of 160°F.

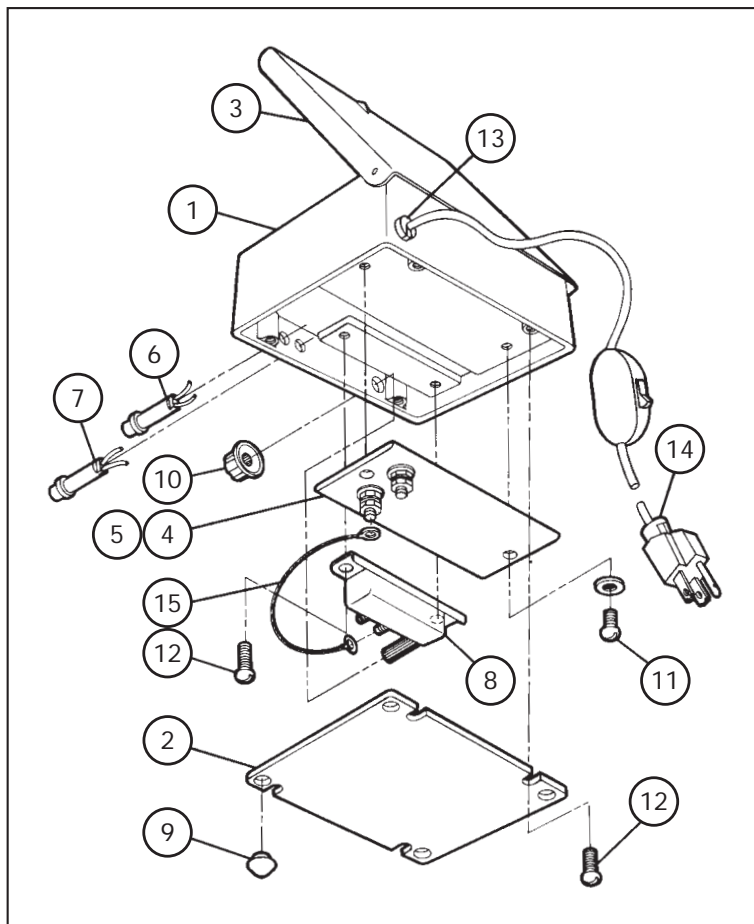
MODEL WH41

The switch is located on the electric power cord. Turn to the ON position. The red "power" light will glow indicating the power is on. Rotate the thermostat switch to a selected temperature setting. The amber "heater" light will glow until the unit has reached the selected temperature and then it will turn off. The amber light will then glow only when additional electrical current is needed to maintain wax at the proper temperature. If more heat is required turn thermostat clockwise, if less heat is required turn thermostat counterclockwise. The temperature range is 100°F to 250°F.

WIRING DIAGRAM



DO NOT IMMERSE UNIT IN WATER



PARTS LIST

Ref. No.	P/N	Description
1	W010	Body
2	W004	Bottom
3	W005	Lid
4	W640	Heater, 35 Watt – Model WH40
5	W641	Heater, 120 Watt – Model WH41
6	W001	Indicator Light for Power, Red Lens
7	W002	Indicator Light for Heater, Amber Lens – Model WH41 only
8	W009	Thermostat – Model WH41 only
9	W003	Rubber Feet – 4 required
10	W017	Knob for Thermostat
11	W006	Screw / Heater Attach – 2 required
12	W011	Screw / Bottom, Thermostat, Ground Wire Attach – 7 required
13	W012	Cord Strain Relief
14	W013	Power Cord with Switch
15	W014	Jump Wire – Model WH41 only

WARRANTY

Ray Foster Dental Equipment warrants this Electric Wax Heater to be free of defects in material and workmanship for a period of one year from the date of purchase by the original user.

To obtain warranty service, the Wax Heater or defective part, together with proof of date of purchase, must be delivered freight prepaid to the factory in Huntington Beach, California. At its option, Ray Foster Dental Equipment Company will replace or repair the defect free of charge, providing the Wax Heater has not been subjected to abuse, neglect, damage, or used in a capacity other than which was intended.



5421 Commercial Drive, Huntington Beach, CA 92649 USA
(714) 897-7795 or (800) 654-4519 FAX (714) 898-6013 • www.fosterdental.com