



LABORATORY VIBRATOR

Model DV34

Operating and Maintenance Instructions



**Sales, Service, and Technical Assistance
Call Toll Free 800 / 654-4519**



**Ray Foster Dental Equipment
5421 Commercial Drive
Huntington Beach, CA 92649
714 / 897-7795, Fax 714 / 898-6013
www.fosterdental.com**

IMPORTANT SAFEGUARDS

- Make sure unit is connected to a power source that is grounded.
- Never touch unit, cord, or plug with wet hands.
- Do not use if power cord or plug is damaged in any way.
- Do not pull on cord when unplugging unit.
- Keep unit away from heating instruments and other heat sources.
- Always unplug unit before cleaning. Do not immerse in water.
- **For laboratory use only.** This plaster vibrator is intended for use by trained professional laboratory personnel only. Use of the equipment in any way not intended by manufacturer compromises the safety of the equipment and voids the warranty.

OPERATING INSTRUCTIONS

1. Plug unit into grounded 115 volt 50/60 hz power source.
2. Turn control knob clockwise to turn unit on. Continue to turn knob clockwise to increase vibration intensity.
3. Turn unit off when not in use.

MAINTENANCE

There is no maintenance other than keeping the vibrator clean. It is a good idea to wipe the unit after each use before the plaster sets. The plastic top is easily removed for cleaning. It may be removed and taken to a sink for thorough cleaning.

You should not let the vibrator run if not actively mixing plaster. This practice will extend the life of the unit.

SPECIFICATIONS

Voltage: 115v 50/60hz

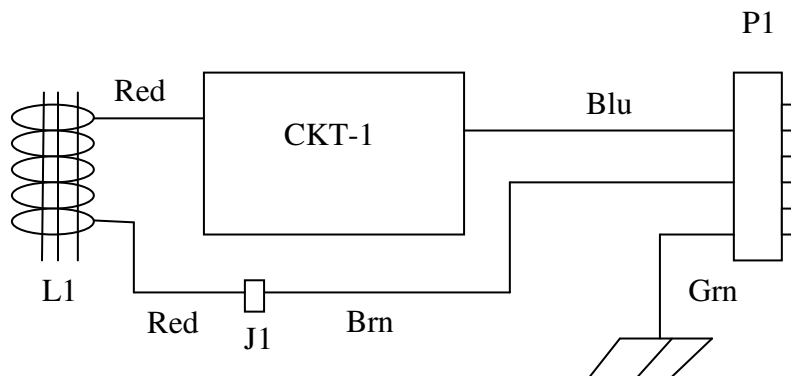
Dimensions: 5-1/2" x 5-1/2" x 4-1/2" tall (14 cm x 14 cm x 12 cm tall)

Net weight: 5 lb, 2 oz (2.3 kg)

PARTS LIST

Part No.	Description
G601	Plastic top, 4-1/2" diameter
G602	Metal table top
G603	Rubber foot, 4 required
G615	Potentiometer with speed control, 115 volt
G616	Dial knob
G617	Rubber mount, 4 required
G618	Transformer

Wiring diagram



Note:
 L1 = Vibrator transformer
 CKT1 = On/Off Vibrator Control Module
 P1 = 3 Wire AC 115v 50/60hz Plug
 J1 = Wire Junction

Ray Foster

Ray Foster Dental Equipment
 5421 Commercial Drive
 Huntington Beach, CA 92649
 714 / 897-7795, Fax 714 / 898-6013
www.fosterdental.com